

# Cable glands & accessories

## ALT Cable Glands

### ALT CW Range

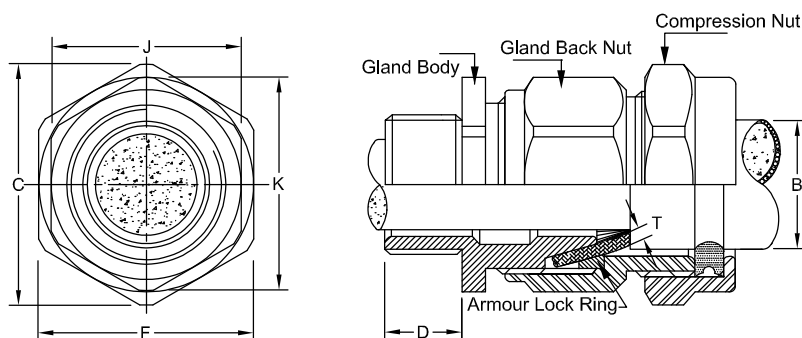
#### 4 PART OUTDOOR

**Application:** Brass indoor and outdoor 4 part cable gland suitable for all types of steel wire armoured cable (SWA), providing an environmental seal on the outer cable sheath. The gland also provides mechanical cable retention and electrical continuity via armour wire termination.

**Continuous operating temp:** PVC: -20°C to +130°C  
LSF: -20°C to +130°C

**Ingress protection:** IP66

**Standard:** BS EN 62444:2013



Part No.	Pack Quantity	Entry Thread		Cable Acceptance Details		Hexagonal Details			
		Diameter N	Length D	Diameter B min max	Armour wire size T	Body & Back Nut		Compression Nut	
						A/F J	A/C K	A/F F	A/C C
<b>CW2016* PACK-ALT</b>	2	16 x 1.5	10	8.6 - 13.5	0.90	20.0	23.0	20.0	23.0
<b>CW20S* PACK-ALT</b>	2	20 x 1.5	10	11.8 - 15.8	0.90/1.25	22.0	24.4	22.0	24.4
<b>CW20* PACK-ALT</b>	2	20 x 1.5	10	13.8 - 19.5	0.90/1.25	25.0	27.7	25.0	27.7
<b>CW25* PACK-ALT</b>	2	25 x 1.5	10	19.8 - 27.0	1.25/1.60	33.0	36.6	33.0	36.6
<b>CW32* PACK-ALT</b>	2	32 x 1.5	10	26.4 - 33.5	1.60/2.00	40.0	45.5	40.0	45.5
<b>CW40* PACK-ALT</b>	1	40 x 1.5	15	32.4 - 40.1	1.60/2.00	48.0	53.3	48.0	53.3
<b>CW50S* PACK-ALT</b>	1	50 x 1.5	15	37.8 - 48.0	2.00/2.50	58.0	65.0	58.0	65.0
<b>CW50* PACK-ALT</b>	1	50 x 1.5	15	44.0 - 52.6	2.00/2.50	62.5	66.6	62.5	66.6
<b>CW63S* PACK-ALT</b>	1	63 x 1.5	15	50.5 - 60.5	2.50	70.0	77.0	70.0	77.0
<b>CW63* PACK-ALT</b>	1	63 x 1.5	15	56.2 - 65.5	2.50	76.0	83.3	76.0	83.3
<b>CW75S* PACK-ALT</b>	1	75 x 1.5	15	62.0 - 71.6	2.50	85.0	94.4	85.0	94.4
<b>CW75* PACK-ALT</b>	1	75 x 1.5	15	67.5 - 78.5	2.50/3.15	90.5	99.0	90.5	99.0
<b>CW90* PACK-ALT</b>	1	90 x 1.5	20	80.0 - 93.0	3.15	112.0	125.0	112.0	125.0

All dimensions are in mm.

Pack content: Gland(s), steel locknut(s), earth tag(s) and PVC shroud(s).

Packs are also available with Low-smoke LSF shroud.

\*Add LSF to the Part No. for Low Smoke & Fume version, i.e. **CW20SLSF PACK-ALT**

See page 60 for more information on Earthing Nuts™

